

Tile Replacement Mount

Elevated Water Seal Technology®

For use with Flat, S, & W shaped tiles



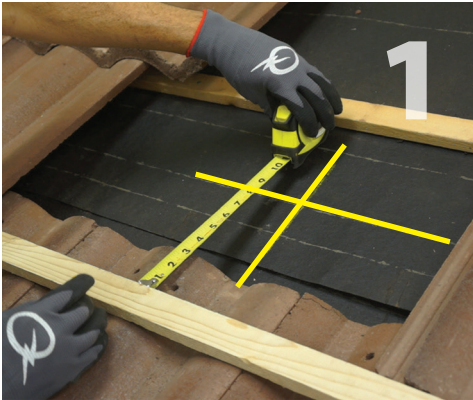
Installation Instructions

Quick Mount PV[®]
RESPECT THE ROOF

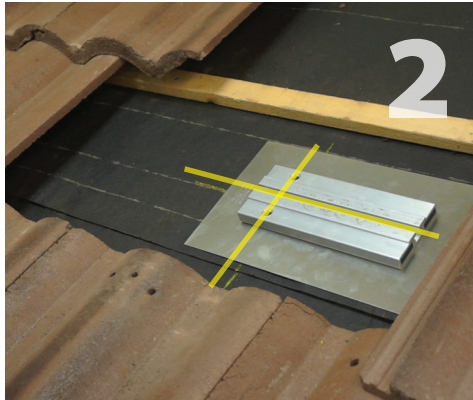
Instructions: QMTR - Tile Replacement Mount

Installation Tools Required: stud finder, tape measure, utility knife, drill with 1/8" bit, impact gun with T-30 Torx bit, channel lock pliers, caulking gun, appropriate sealant compatible with EPDM rubber and roofing materials, roofing bar, and hand broom.

NOTE: Installation method is the same for all tile replacement flashing profiles.



1
Locate and remove the tile that will be replaced by the tile replacement flashing. Remove tile to the left of and above the mount location. Locate rafter and mark center. Measure 8 3/4" up from bottom of the adjacent tiles and mark the location with a horizontal line across rafter.



2
Align the base plate over rafter so the lag holes line up with the rafter line and horizontal line aligns with the post groove. The orientation of the base plate can be flipped east-west for post location versatility of up to 12 1/4". Mark location of lag holes on the roof.



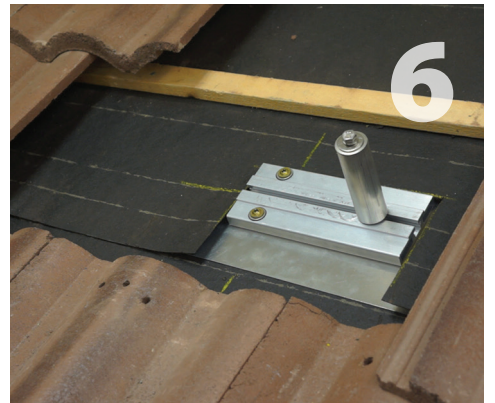
3
Drill two pilot holes using 1/8" bit to a depth of 2 3/4". Be sure lags go into center of rafter for strongest attachment. Pilot holes reduce rafter splitting. Fill pilot holes with appropriate sealant and align lag holes over the pilot holes.



4
Waterproof at underlayment level according to roofing manufacturer instructions and Tile Roofing Institute Guidelines. Alternative flashing methods may be approved by the AHJ at their discretion.



5
Use T-30 Torx bit and impact gun to secure mount into rafter with provided hardware.



6
Insert the grade-8 serrated flange bolt into the bottom of the post. Slide post into base plate channel. Line up post with the hole in the tile replacement flashing. Leave loose for adjustments.



7
Place the tile replacement flashing over the post and mount, allowing flashing to interlock with surrounding tiles properly. Secure the post by tightening it down using a pair of channel lock pliers. Replace surrounding tiles.



8
Apply a bead of sealant where the post meets the flashing. Slip the EPDM collar over the post and onto the flashing.

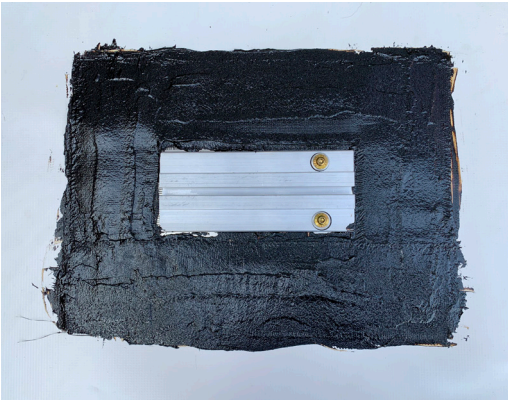
WARNING: Quick Mount PV products are NOT designed and should NOT be used for anchoring fall protection equipment.

CAUTION: Prior to installation, check that proper screw embedment will be achieved for the necessary site load and roofing configurations.

Additional Installation Notes - Tile Replacement Mount

Flashing Tile Roofs in Florida

In the State of Florida tile roofs require that the sub-flashing must be flashed ON ALL FOUR SIDES per the TRI/FRSA Florida High Wind Concrete and Clay Tile Installation Manual. For more information, check out Quick Mount PV's Waterproofing Tile Roof Mount sub-flashing: Three-Course Method instructions. Alternative flashing methods may be approved by the AHJ at their discretion.



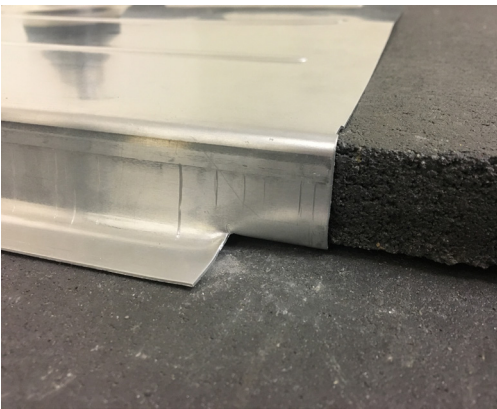
Three-course method flashing on all four sides.

Optional Methods for Securing Top Flashing

For replacement flashings susceptible to movement, additional measures may be taken to secure the replacement flashing flush to the roof.

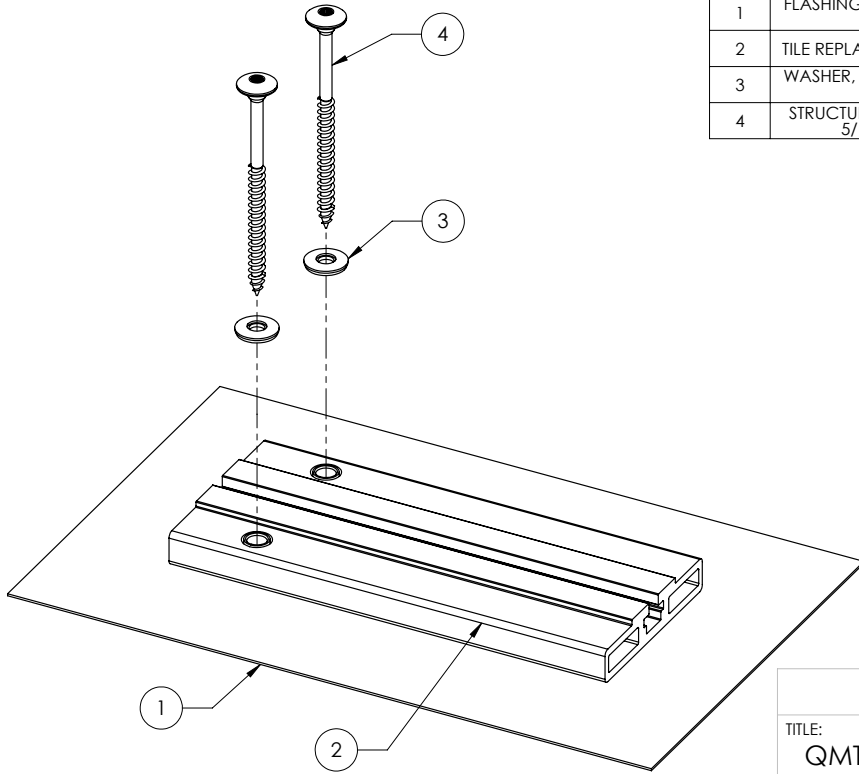
OPTION 1 - Using a pair of tin snips, snip the bottom lip on the right side of the replacement flashing approximately 3/4" inch from the edge and bend the tab under the adjacent tile to help keep the replacement flashing flush to the roof.

OPTION 2 - Adhere flashing to adjacent tile using roofing adhesive compatible with contacted materials and environmental conditions, according to the TRI Guidelines (see sections MC-21 & MC-24).



Option 1.

ITEM NO.	DESCRIPTION	QTY.
1	FLASHING, .040" X 12" X 7.5", SHEET, 5052-H32, MILL	1
2	TILE REPLACEMENT BASE, 8.125", 6061-T6, MILL	1
3	WASHER, SEALING, 5/16" ID X 3/4" OD, EPDM BONDED SS	2
4	STRUCTURAL SCREW, QMPV, BUTTON HEAD, 5/16" X 4", T-30, STEEL, COATED	2



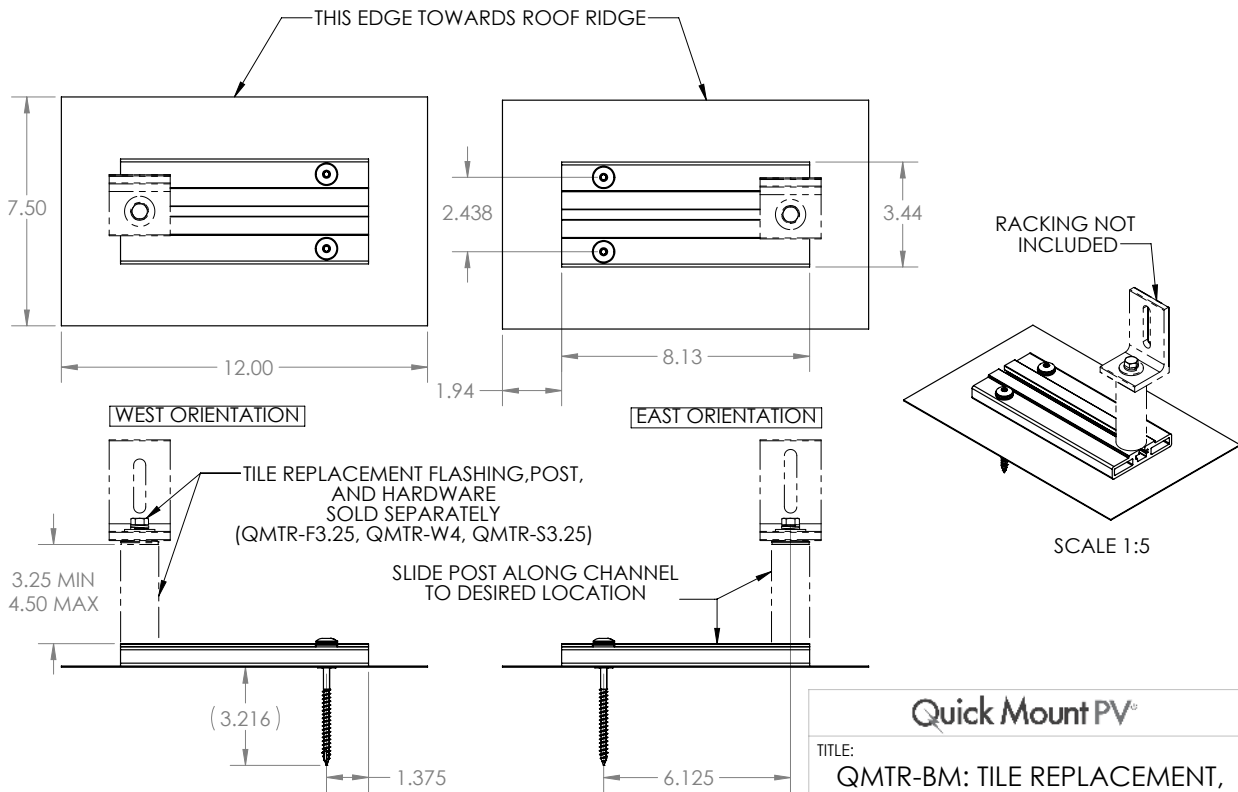
Quick Mount PV®

TITLE:
**QMTR-BM: TILE REPLACEMENT,
BASE MOUNT**

UNLESS OTHERWISE SPECIFIED: DIMENSIONS ARE IN INCHES TOLERANCES: FRACTIONAL ± 1/8 TWO PLACE DECIMAL ±.19 THREE PLACE DECIMAL ±.094	SIZE	DRAWN BY: RAD	REV
	A	DATE: 4/5/2019	8
	SCALE: 1:2	WEIGHT: 1.52	SHEET 1 OF 2

PROPRIETARY AND CONFIDENTIAL
THE INFORMATION CONTAINED IN THIS DRAWING IS THE SOLE PROPERTY OF QUICK MOUNT PV. ANY REPRODUCTION IN PART OR AS A WHOLE WITHOUT THE WRITTEN PERMISSION OF QUICK MOUNT PV IS PROHIBITED. COPYRIGHT © 2019 QUICK MOUNT PV

DO NOT SCALE DRAWING



Quick Mount PV®

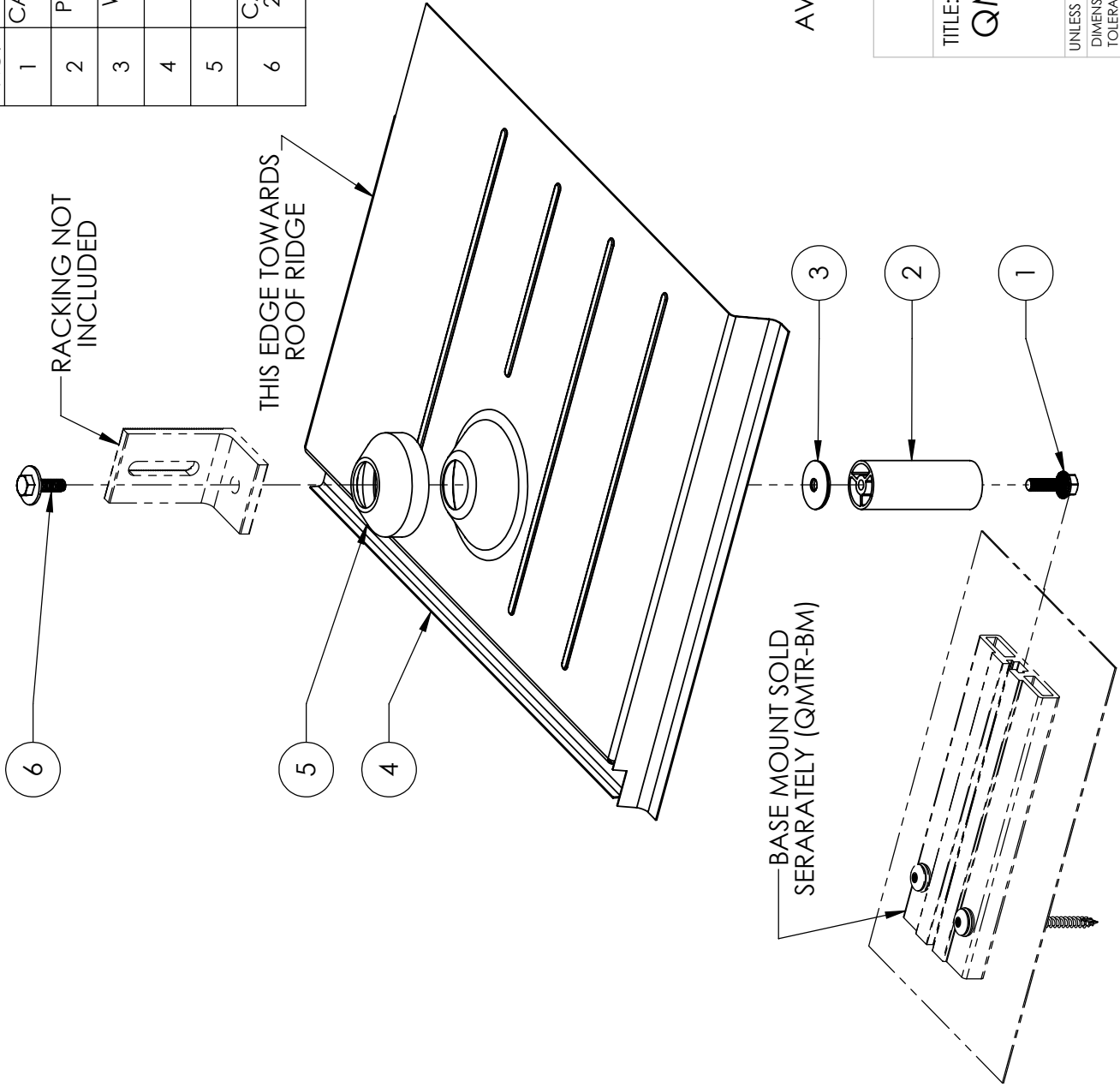
TITLE:
**QMTR-BM: TILE REPLACEMENT,
BASE MOUNT**

UNLESS OTHERWISE SPECIFIED: DIMENSIONS ARE IN INCHES TOLERANCES: FRACTIONAL ± 1/8 TWO PLACE DECIMAL ±.19 THREE PLACE DECIMAL ±.094	SIZE	DRAWN BY: RAD	REV
	A	DATE: 4/5/2019	8
	SCALE: 1:4	WEIGHT: 1.52	SHEET 2 OF 2

PROPRIETARY AND CONFIDENTIAL
THE INFORMATION CONTAINED IN THIS DRAWING IS THE SOLE PROPERTY OF QUICK MOUNT PV. ANY REPRODUCTION IN PART OR AS A WHOLE WITHOUT THE WRITTEN PERMISSION OF QUICK MOUNT PV IS PROHIBITED. COPYRIGHT © 2019 QUICK MOUNT PV

DO NOT SCALE DRAWING

ITEM NO.	DESCRIPTION	QTY.
1	CAP SCREW, SERRATED FLANGE, HEX HEAD, 5/16"-18 X 1" UNC-2A, GRADE 8, ZINC MILL	1
2	POST, 1-1/4" OD X 3-1/4", 6063-T5/6063-T6, MILL	1
3	WASHER, SEALING, 5/16" ID X 1-1/4" OD, EPDM BONDED SS	1
4	FLASHING, REPLACEMENT TILE, FLAT, 1" CONE, ALUMINUM, MILL	1
5	COLLAR, COUNTER FLASHING, 1-1/4" ID EPDM	1
6	CAP SCREW, HEX HEAD, 5/16"-18 X 1" UNC-2A, NYLON PATCH, W/CAPTIVE WASHER, 1" OD, 18-8 SS	1



AVAILABLE IN MILL, AND BLACK FINISHES

Quick Mount PV

TITLE:

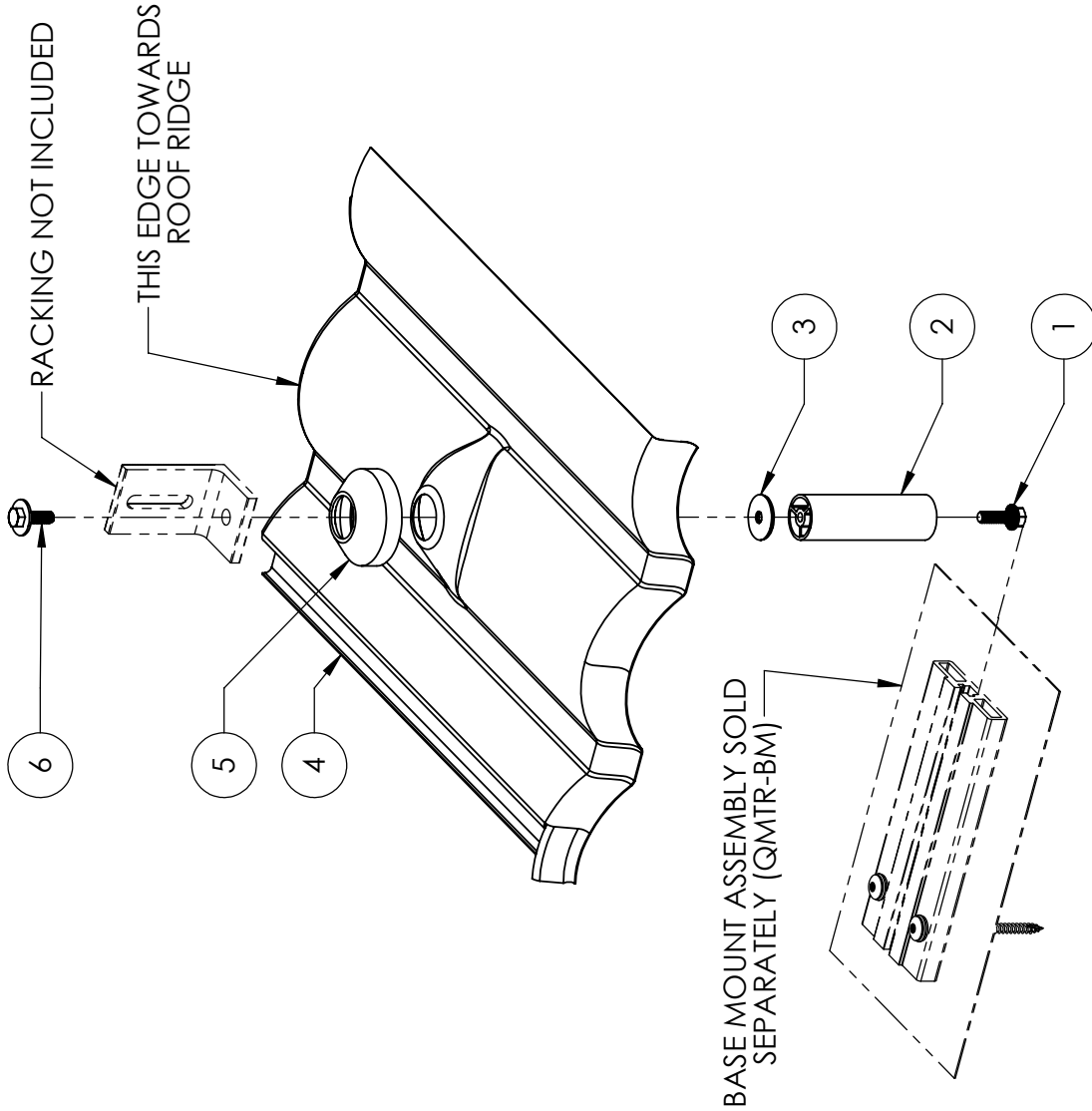
**QMTR-F3.25: TILE REPLACEMENT,
FLAT TILE, 3-1/4" POST**

UNLESS OTHERWISE SPECIFIED: DIMENSIONS ARE IN INCHES	SIZE	DRAWN BY:	RAD	REV
TOLERANCES: FRACTIONAL ± 1/8 TWO PLACE DECIMAL ±.19 THREE PLACE DECIMAL ±.094	A	DATE:	6/6/2019	7
	SCALE: 1:4	WEIGHT: 1.23		SHEET 1 OF 1

DO NOT SCALE DRAWING

PROPRIETARY AND CONFIDENTIAL
THE INFORMATION CONTAINED IN THIS DRAWING IS THE SOLE PROPERTY OF QUICK MOUNT PV. ANY REPRODUCTION IN PART OR AS A WHOLE WITHOUT THE
WRITTEN PERMISSION OF QUICK MOUNT PV IS PROHIBITED. **COPYRIGHT © 2019 QUICK MOUNT PV**

ITEM NO.	DESCRIPTION	QTY.
1	CAP SCREW, SERRATED FLANGE, HEX HEAD, 5/16"-18 X 1" UNC-2A, GRADE 8, ZINC	1
2	POST, 1.25" OD X 4", 6063-T5/6063-T6, MILL	1
3	WASHER, SEALING, 5/16" ID X 1-1/4" OD, EPDM BONDED SS	1
4	FLASHING, REPLACEMENT TILE, W-TILE, .625" CONE, ALUMINUM, MILL	1
5	COLLAR, COUNTER FLASHING, 1-1/4" ID EPDM	1
6	CAP SCREW, HEX HEAD, 5/16"-18 X 1" UNC-2A, NYLON PATCH, W/CAPTIVE WASHER, 1" OD, 18-8 SS	1



AVAILABLE IN MILL, AND BLACK FINISHES

Quick Mount PV[®]

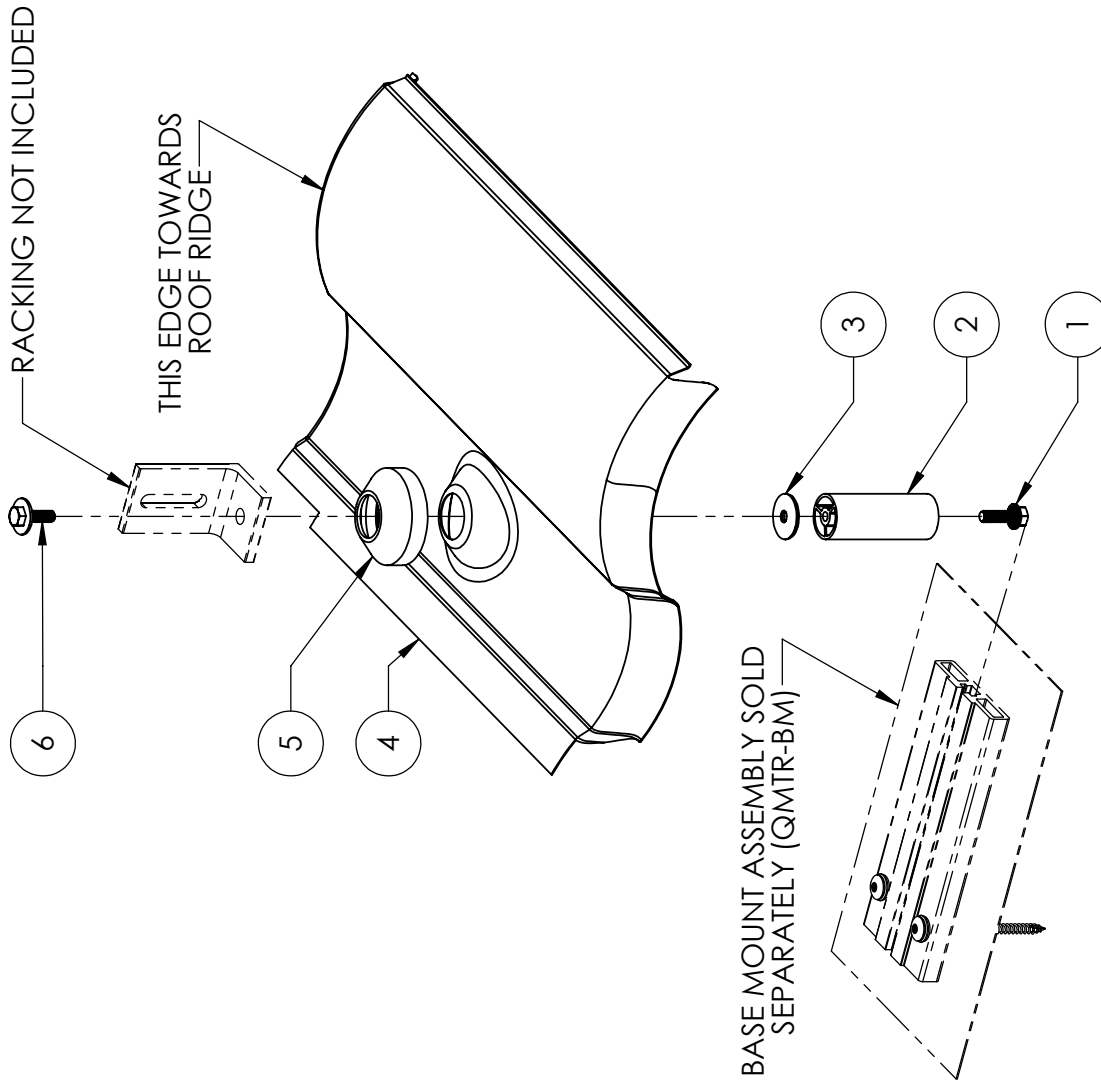
TITLE:

**QMTR-W4: TILE REPLACEMENT,
W-TILE, 4" POST**

UNLESS OTHERWISE SPECIFIED: DIMENSIONS ARE IN INCHES	SIZE	DRAWN BY:	RAD	REV
TOLERANCES: FRACTIONAL ± 1/8 TWO PLACE DECIMAL ± .019 THREE PLACE DECIMAL ± .004	A	DATE:	6/6/2019	7
	SCALE: 1:5	WEIGHT: 1.26		SHEET 1 OF 1

DO NOT SCALE DRAWING
 PROPRIETARY AND CONFIDENTIAL
 THE INFORMATION CONTAINED IN THIS DRAWING IS THE SOLE PROPERTY OF QUICK MOUNT PV. ANY REPRODUCTION IN PART OR AS A WHOLE WITHOUT THE
 WRITTEN PERMISSION OF QUICK MOUNT PV IS PROHIBITED. **COPYRIGHT © 2019 QUICK MOUNT PV**

ITEM NO.	DESCRIPTION	QTY.
1	CAP SCREW, SERRATED FLANGE, HEX HEAD, 5/16"-18 X 1" UNC-2A, GRADE 8, ZINC	1
2	POST, 1-1/4" OD X 3-1/4", 6063-T5/6063-T6, MILL	1
3	WASHER, SEALING, 5/16" ID X 1-1/4" OD, EPDM BONDED SS	1
4	FLASHING, REPLACEMENT TILE, S-TILE, .625" CONE, ALUMINUM, MILL	1
5	COLLAR, COUNTER FLASHING, 1-1/4" ID EPDM	1
6	CAP SCREW, 5/16"-18 X 1" UNC-2A, NYLON PATCH, W/ CAPTIVE WASHER, 1" OD, 18-8SS	1



AVAILABLE IN MILL, AND BLACK FINISHES

Quick Mount PV

TITLE:

**QMTR-S3.25: TILE REPLACEMENT,
S-TILE, 3-1/4" POST**

UNLESS OTHERWISE SPECIFIED: DIMENSIONS ARE IN INCHES TOLERANCES: FRACTIONAL ± 1/8 TWO PLACE DECIMAL ± .19 THREE PLACE DECIMAL ± .094	SIZE A	DRAWN BY: RAD	REV 7
SCALE: 1:5	DATE: 6/6/2019	WEIGHT: 1.17	SHEET 1 OF 1

DO NOT SCALE DRAWING
 PROPRIETARY AND CONFIDENTIAL
 THE INFORMATION CONTAINED IN THIS DRAWING IS THE SOLE PROPERTY OF QUICK MOUNT PV. ANY REPRODUCTION IN PART OR AS A WHOLE WITHOUT THE WRITTEN PERMISSION OF QUICK MOUNT PV IS PROHIBITED. **COPYRIGHT © 2019 QUICK MOUNT PV**



925-478-8269 | www.quickmountpv.com | tech@quickmountpv.com
2700 Mitchell Dr. | Walnut Creek, CA 94598